



GAI-TRONICS®
A HUBBELL COMPANY

Model 774-001 Portable Station Enclosure

Confidentiality Notice

This manual is provided solely as an operational, installation, and maintenance guide and contains sensitive business and technical information that is confidential and proprietary to GAI-Tronics. GAI-Tronics retains all intellectual property and other rights in or to the information contained herein, and such information may only be used in connection with the operation of your GAI-Tronics product or system. This manual may not be disclosed in any form, in whole or in part, directly or indirectly, to any third party.

General Information

GAI-Tronics offers the Model 774-001 Portable Station Enclosure, which when used in conjunction with a Model 701-302 or Model 701-304 Handset/Speaker Amplifier, is ideal for extensive facilities where it is not desirable to invest in handset stations for all possible locations.

The Model 774-001 is easily transported with the attached carrying handle, and the 25-foot cable provides mobility to the user.

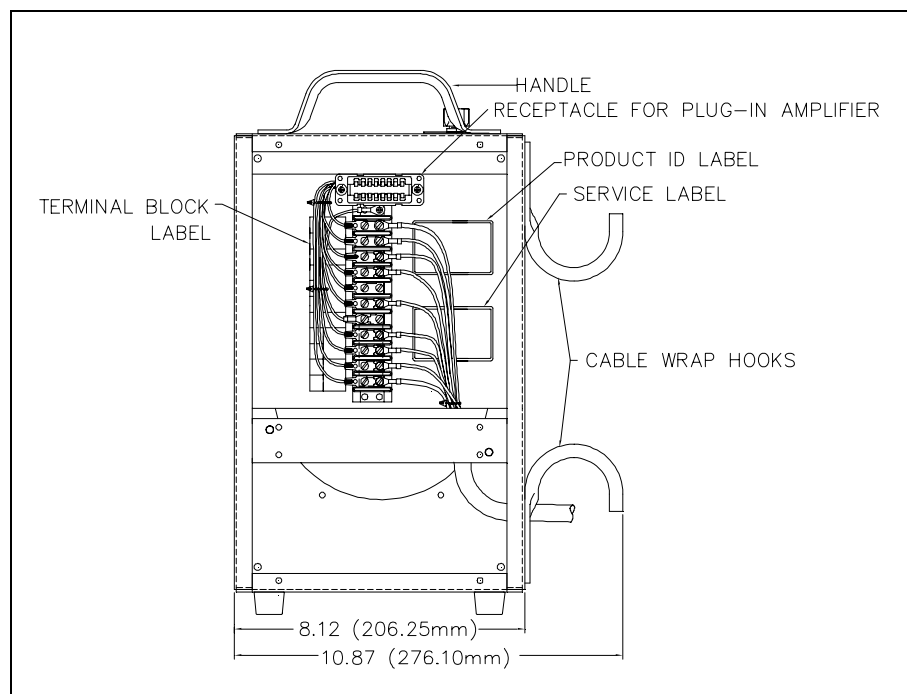


Figure 1. View of Model 774-001 with front panel removed

Installation

The Model 774-001 plugs directly into a Model 773-001 Outdoor Jack Station. There is no customer wiring required for the Model 774-001. The Model 774-001 works with either a Model 701-302 or 701-304 Handset/Speaker Amplifier.

To install the handset station, align the holes in the enclosure with the screws in the four corners of the handset station. To secure the handset when the station is being moved, the Model 774-001 includes a handset retainer assembly. To install the retainer assembly, align the two holes in the holder plate with the two bottom holes of the handset station. Secure the assembly using the existing screws. The handset can now be firmly snapped into place while transporting the station. See Figure 3 for details.

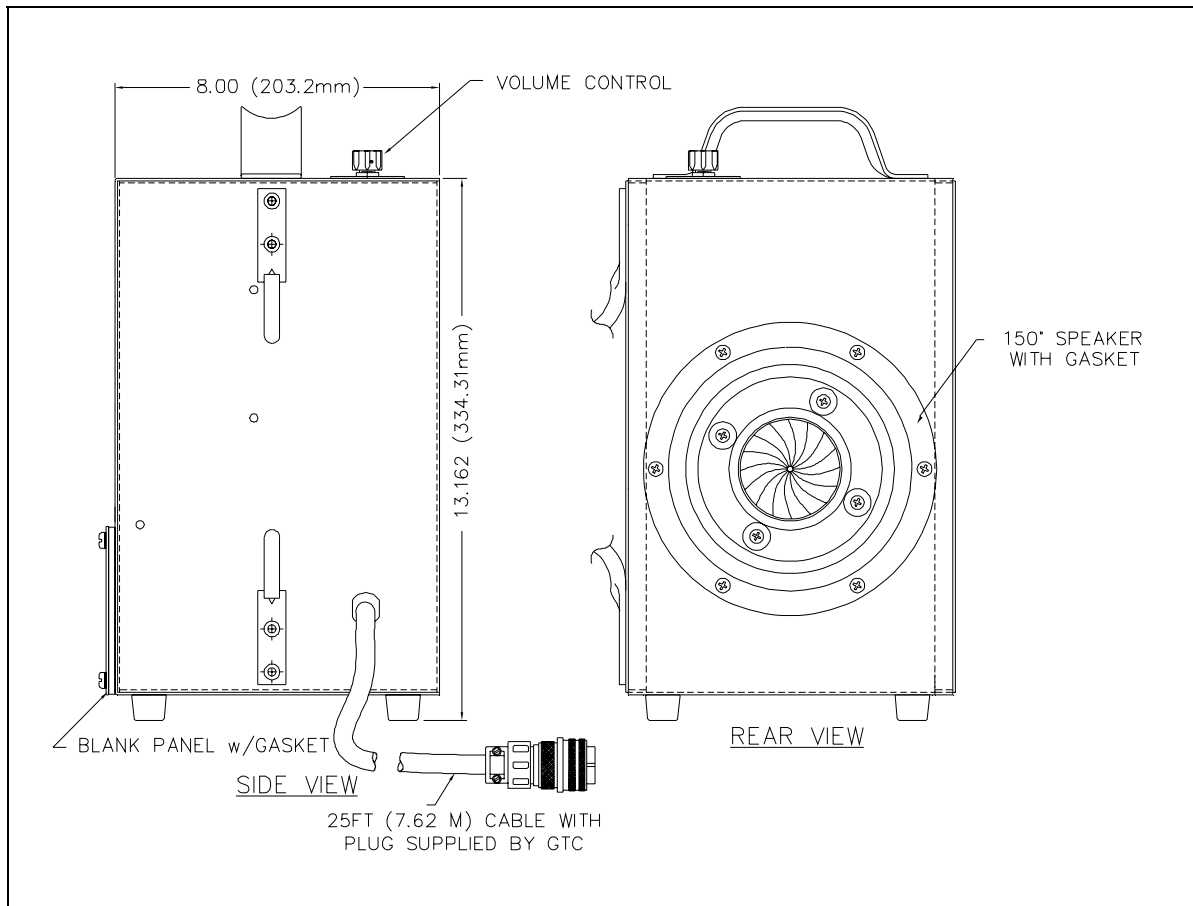


Figure 2. Side and Rear View of Model 774-001

Speaker Volume Adjustment

The speaker volume is adjusted by a potentiometer on the top of the enclosure. Maximum speaker amplifier output is adjusted by a potentiometer located behind the amplifier nameplate. If the factory setting of the speaker output level is not loud enough (the external volume control is fully clockwise), use a small standard screwdriver to loosen the screw securing the Model 701 Amplifier front panel nameplate. Insert the screwdriver into the hole under the name tag, and adjust the volume control for the desired output level.

There is also a volume control located on the top of the Model 774-001 Enclosure. This control adjusts the speaker amplifier's output level from a minimum to a maximum level determined by the amplifier's internal setting.

Speaker Muting Adjustment

Normally, when the station handset pressbar is pressed, the paging speaker connected to that station is silenced (muted) to prevent acoustic feedback to the handset microphone. However, while the handset is in use for party line conversations, the paging speaker will broadcast pages from other stations.

To disable the muting feature, follow these steps:

1. Locate the lugged violet wire attached to terminal 7 (Mute) on the terminal block within the enclosure.
2. Transfer the lugged violet wire to terminal 8 (Page L1).

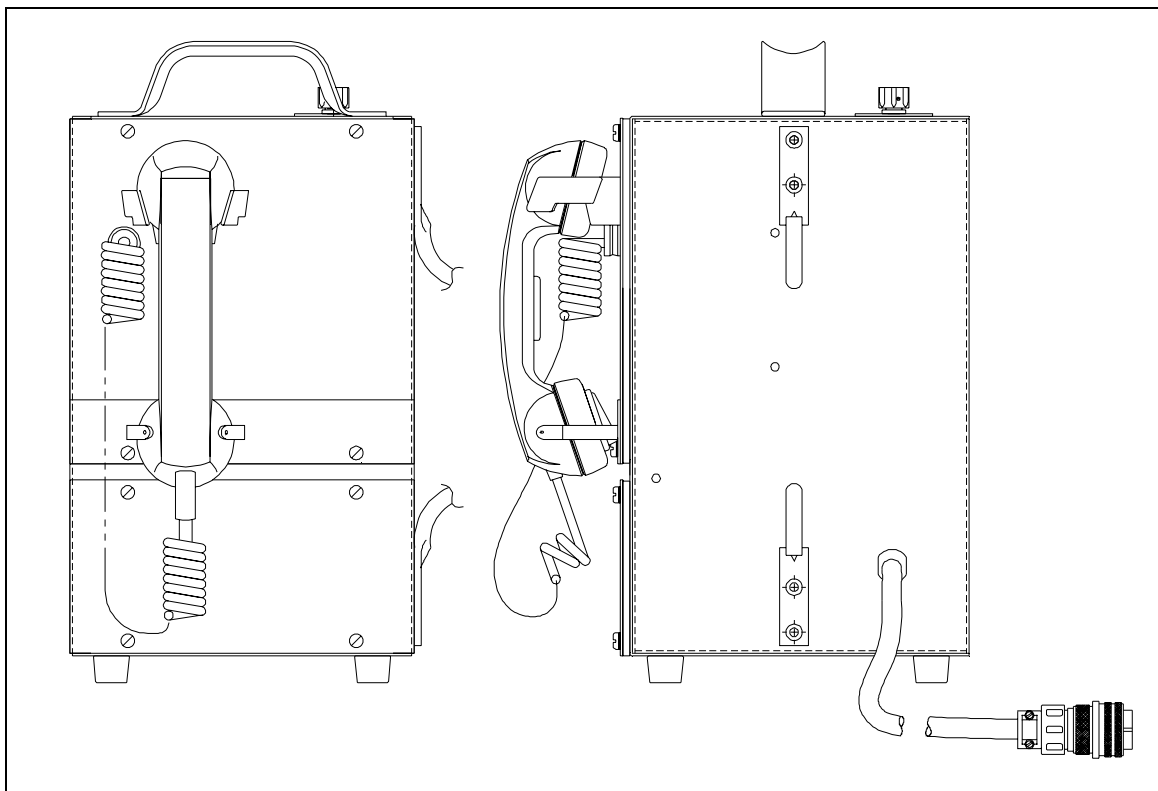


Figure 3. View of Assembled Portable Station

Replacement Parts

Part Number	Description
13323-001	Speaker
14727-003	Handset Retainer Assembly
12564-002	Knob Kit
61509-004	Harness Assembly

Warranty

Equipment. GAI-Tronics warrants for a period of one (1) year from the date of shipment, that any GAI-Tronics equipment supplied hereunder shall be free of defects in material and workmanship, shall comply with the then-current product specifications and product literature, and if applicable, shall be fit for the purpose specified in the agreed-upon quotation or proposal document. If (a) Seller's goods prove to be defective in workmanship and/or material under normal and proper usage, or unfit for the purpose specified and agreed upon, and (b) Buyer's claim is made within the warranty period set forth above, Buyer may return such goods to GAI-Tronics' nearest depot repair facility, freight prepaid, at which time they will be repaired or replaced, at Seller's option, without charge to Buyer. Repair or replacement shall be Buyer's sole and exclusive remedy. The warranty period on any repaired or replacement equipment shall be the greater of the ninety (90) day repair warranty or one (1) year from the date the original equipment was shipped. In no event shall GAI-Tronics warranty obligations with respect to equipment exceed 100% of the total cost of the equipment supplied hereunder. Buyer may also be entitled to the manufacturer's warranty on any third-party goods supplied by GAI-Tronics hereunder. The applicability of any such third-party warranty will be determined by GAI-Tronics.

Services. Any services GAI-Tronics provides hereunder, whether directly or through subcontractors, shall be performed in accordance with the standard of care with which such services are normally provided in the industry. If the services fail to meet the applicable industry standard, GAI-Tronics will re-perform such services at no cost to buyer to correct said deficiency to Company's satisfaction provided any and all issues are identified prior to the demobilization of the Contractor's personnel from the work site. Re-performance of services shall be Buyer's sole and exclusive remedy, and in no event shall GAI-Tronics warranty obligations with respect to services exceed 100% of the total cost of the services provided hereunder.

Warranty Periods. Every claim by Buyer alleging a defect in the goods and/or services provided hereunder shall be deemed waived unless such claim is made in writing within the applicable warranty periods as set forth above. Provided, however, that if the defect complained of is latent and not discoverable within the above warranty periods, every claim arising on account of such latent defect shall be deemed waived unless it is made in writing within a reasonable time after such latent defect is or should have been discovered by Buyer.

Limitations / Exclusions. The warranties herein shall not apply to, and GAI-Tronics shall not be responsible for, any damage to the goods or failure of the services supplied hereunder, to the extent caused by Buyer's neglect, failure to follow operational and maintenance procedures provided with the equipment, or the use of technicians not specifically authorized by GAI-Tronics to maintain or service the equipment. **THE WARRANTIES AND REMEDIES CONTAINED HEREIN ARE IN LIEU OF AND EXCLUDE ALL OTHER WARRANTIES AND REMEDIES, WHETHER EXPRESS OR IMPLIED BY OPERATION OF LAW OR OTHERWISE, INCLUDING ANY WARRANTIES OF MERCHANTABILITY OR FITNESS FOR A PARTICULAR PURPOSE.**

Return Policy

If the equipment requires service, contact your Regional Service Center for a return authorization number (RA#). Equipment should be shipped prepaid to GAI-Tronics with a return authorization number and a purchase order number. If the equipment is under warranty, repairs or a replacement will be made in accordance with the warranty policy set forth above. Please include a written explanation of all defects to assist our technicians in their troubleshooting efforts.

Call 800-492-1212 (inside the USA) or 610-777-1374 (outside the USA) for help identifying the Regional Service Center closest to you.